

Hold-open Magnet – DH Series

The DH Series wall-mounted magnets allow fire/smoke doors to remain held open until, in the event of a fire, released by a fire control system. These heavy-duty magnets are fail-safe by design and are used in conjunction with Syntégra's manual door closers that control the door when power is interrupted.

Features/Options

- Recessed wall mount
- 30-45 lbs. holding force
- Tri-Voltage - 12V DC, 24V AC/DC, 120V AC
- Low current consumption
- Armature extensions available for unlimited projections
- Double-swivel design compensates for misalignments
- Easy wire installation with quick insert connector



DH3

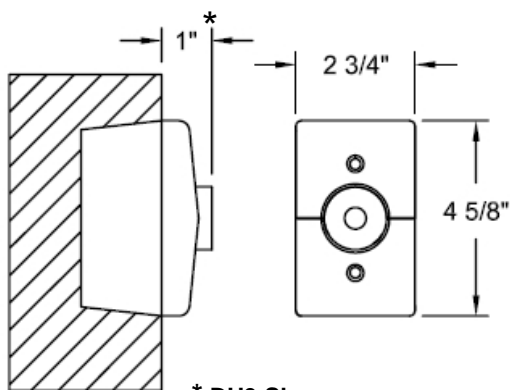
Certifications

- U.L. and C.U.L. listed for smoke barrier and labeled openings
- Meets ANSI/BHMA requirements 156.15
- CSFM approved

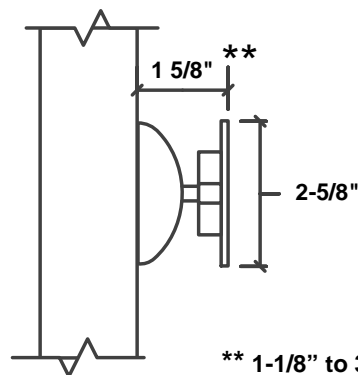


DH2

Model	Mount	Projection	Finish
DH1	Flush	1-1/8" to 2-1/8"	628, 630
DH2	Flush	1-7/8" to 2-7/8"	628, 630
DH3	Semi-Concealed	2-5/8" to 3-5/8"	628, 630



* DH3 Shown
 1/4" for DH1/DH2



** 1-1/8" to 3-5/8"
 depending on model